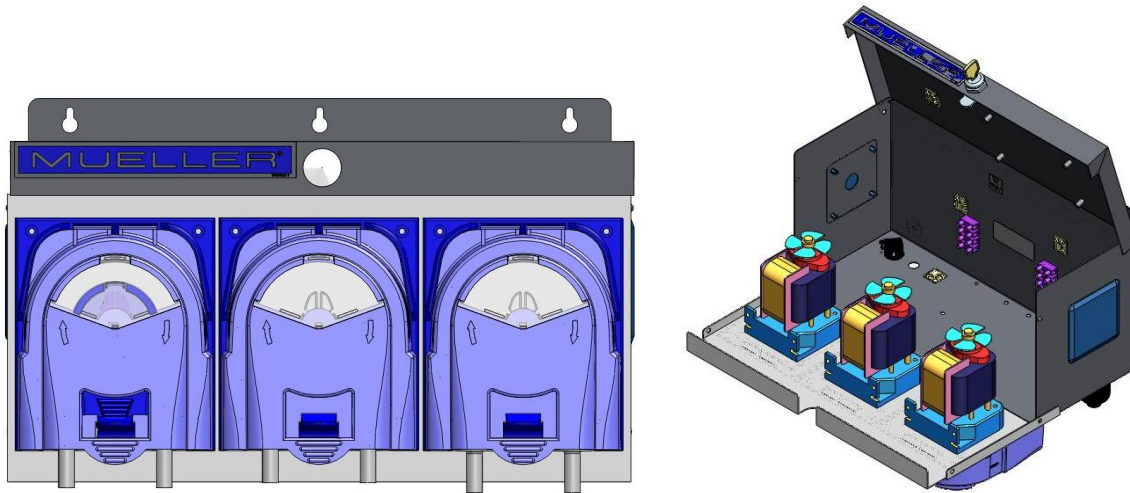


DC844.3PPP.230.NE.PM

Installation Instruction



Overview

The DC844.3PPP.230.NE.PM unit is designed to exclusively to be used by the Paul Mueller Company. The unit has no electronics included in it.

The unit includes three AC motors that run peristaltic pumps. The motors are hooked into terminal blocks in the back of the unit. The unit also comes with a lock and key set and conduit fittings to help enclose all wires being run into the unit.

Warnings



Installation of DEMA products must meet all applicable electrical codes and regulations established by national, city, county, parish, provincial or other agencies. It is possible that electrical codes and regulations require that a certified electrical contractor or engineer perform the electrical installation. For questions, contact a certified electrician.



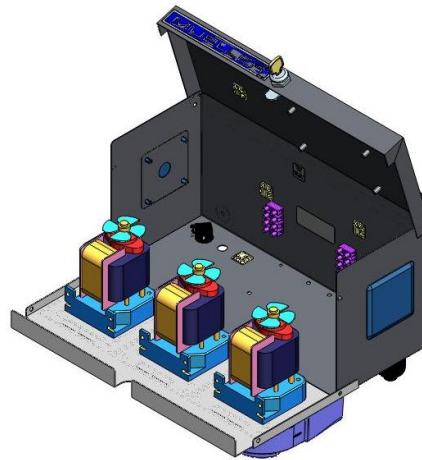
All installations must conform to local plumbing codes and use approved backflow prevention devices. A pressure indicating tee is to be installed with existing faucets according to local plumbing codes in the state of Wisconsin and any other state that requires the use of a pressure indicating tee.



ALWAYS WEAR PROTECTIVE CLOTHING AND EYEWEAR WHEN WORKING WITH CHEMICAL PRODUCTS.

Packing List

3/8" X 3/8" JG Fitting Kit (1)
Including 6 JG push-to-
connect fittings
84.175.7



DC844 NE Assembly (1)
84.214.7

Operational Requirements

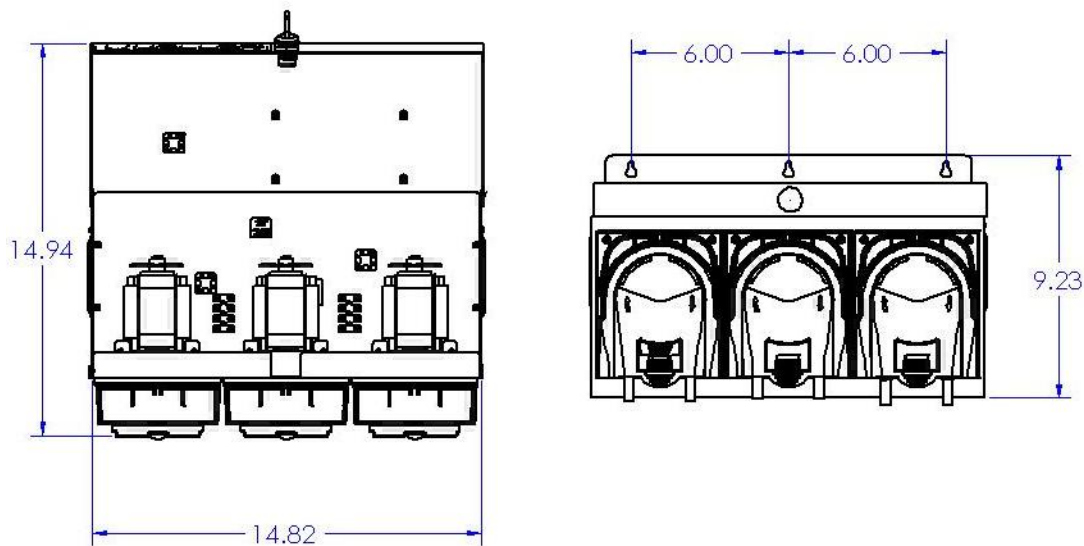
Operating Voltage:

230 V AC

Ambient Temperature:

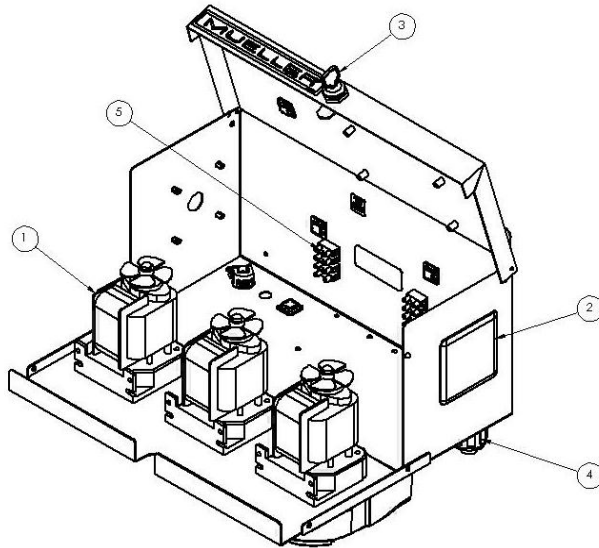
39°F - 122°F (4°C to 50°C)

Overall Size

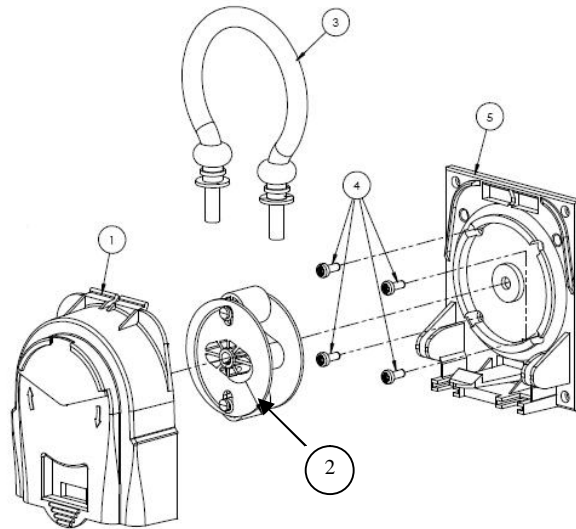


The two pictures show one of the case opened and one of the case closed to estimate the total space needed to service the case as well. The mounting hole pattern is shown as well.

Parts List



NO.	DEMA NO.	DESCRIPTION
1	81.289.230MK	230V 50/60HZ GEAR MOTOR
2	81.122.1	PUMP BLANK PLUG
3	81.69	LOCK AND KEY SET
4	81.148.3	1/2" CONDUIT FITTING
5	81.15.4	BARRIER STRIPS



NO.	DEMA NO.	DESCRIPTION
1	84.209.1	PUMP COVER ASSEMBLY
2	84.207.1	ROLLER BLOCK ASSEMBLY
3	84.208.1	SQUEEZE TUBE ASSEMBLY, EPDM
	84.208.3	SQUEEZE TUBE ASSEMBLY, SILICONE
	84.208.5	SQUEEZE TUBE ASSEMBLY, VITON
4	25.85.2	10-32 X 1/2 SS PHIL SCREW
5	84.188.1	LARGE PUMP BASE

Warranty

Merchandise Returns

No merchandise will be returned for credit without DEMA'S written permission. Returned Merchandise Authorization Number is required in advance of return.

Product Warranty

DEMA products are warranted against defective material and workmanship under normal use and service for one year from the date of manufacture. This limited warranty does not apply to any products that have a normal life shorter than one year or failure and damage caused by chemicals, corrosion, physical abuse, or misapplication. Rubber and synthetic rubber parts such as "o"-rings, diaphragms, PVC tubing, and gaskets are considered expendable and are not covered under warranty. This warranty is extended only to the original buyer of DEMA products. If products are altered or repaired without prior approval of DEMA, this warranty is void.

Defective units or parts should be returned to the factory with transportation prepaid. If inspection shows them to be defective, they will be repaired or replaced without charge, F.O.B. factory. DEMA assumes no liability for damages. Return merchandise authorization number must be granted in advance of returned units for repair or replacement (See "Merchandise Returns" above).