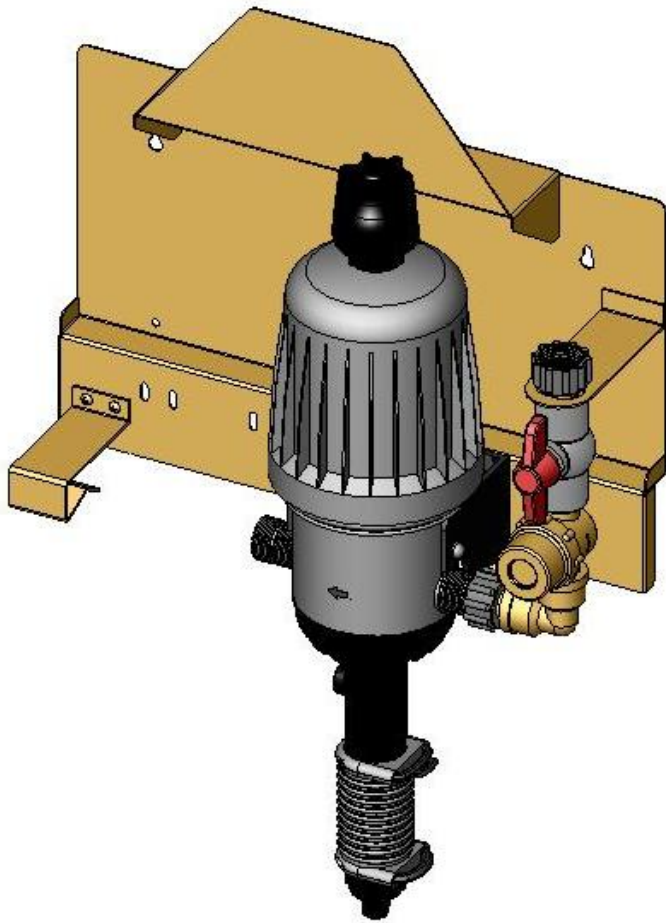


**570 SERIES MODELS INSTALLATION INSTRUCTIONS
DEMA MIXRITE WALL MOUNT & CART MOUNT UNITS**



**DEMA MIXRITE
WALL MOUNT UNIT**



**DEMA MIXRITE
CART MOUNT UNIT**

570 SERIES MODELS INSTALLATION INSTRUCTIONS DEMA MIXRITE WALL MOUNT & CART MOUNT UNITS

1. MODEL NUMBERS:

MODEL NO.	SUFFIX DESIGNATION
570[]S	[] = TYPE OF UNIT (“W” OR “C”) W = WALL MOUNT C = CART MOUNT B = BYPASS S = SPRAY R = RINSE F = FOAMING A = AIR FOR FOAMING
571[]SR	
572[]S	
573[]SR	
573[]SFR	
573[]AFR	
576[]BS	
577[]BSR	
578[]BS	
579[]BSR	
579[]BSFR	
578[]BAF	

2. PARTS CHECKLIST:

ITEM	DESCRIPTION	QTY.	WALL MOUNT UNIT	CART MOUNT UNIT
A	LESS ACCESSORY UNIT	1	X	X
B	25' LONG GARDEN HOSE	1	X	X
C	½" I.D. X 6' LONG NYLON BRAIDED GARDEN HOSE	1	X	X
D	SPRAY GUN	1	*X	*X
E	FOAM WAND	1	**X	**X
F	TUBING & MARBLE WEIGHT	1	X	X
G	#10 SCREW & ANCHOR (4 EACH)	1	X	
H	STRAP WITH SIDE RELEASE	1		X
I	I814 INSTRUCTION SHEET	1	X	X

* MODELS 573[]AFR & 578[]BAF DO NOT INCLUDE SPRAY GUN.

** ONLY MODELS 573[]SFR, 573[]AFR, 579[]BSFR, & 578[]BAF INCLUDE FOAM WAND.

3. MOUNTING INSTRUCTION (WALL MOUNT UNIT ONLY):

Locate mounting holes on a permanent surface for mounting the MixRite wall mount unit. Drill all of the holes into the drywall using a ¼" diameter bit for use with the included #10 screw and anchor set. (If mounting the MixRite wall mount unit to wood and you do not plan to use the included anchors, drill 1/8" diameter holes.) Insert the anchors into drilled holes and hammer them into the wall until they are flush with face of wall. Assemble two of the #10 screws with a Phillips screwdriver into the two anchors at the very top so the screw heads are sticking out of the wall approximately ½". Mount the MixRite wall mount unit by inserting the screw heads through the keyhole slots in the mounting plate and tightening the screws. Insert the remaining two #10 screws through the mounting plate and into the anchor. Tighten the two screws. See figure 1 for mounting hole locations.

570 SERIES MODELS INSTALLATION INSTRUCTIONS DEMA MIXRITE WALL MOUNT & CART MOUNT UNITS

4. WATER INLET:

Insert the male end of the ½" X 6' long nylon braided garden hose into the female garden hose swivel nut and tighten. Connect the other end of the garden hose to the water supply line.

5. OUTLET:

Insert the female end of the 25' long garden hose into the male end of the MixRite pump or the male end of the foam generator and tighten the garden hose swivel nut. **When tightening the garden hose swivel nut to the MixRite pump, be sure not to overtighten the hose swivel nut. Overtightening could lead to breakage or thread stripping.**

WARNING: After the garden hose has been connected to the MixRite pump, snap the rubber part of the hose onto the outlet hose bracket for models that do not include the foam generator. Failure to do this will result in the pump breaking when the hose is pulled. (See Figure 1 for outlet hose bracket location.)

Attach the spray gun or foam wand to the male threaded end of the garden hose.

6. CHEMICAL SUPPLY:

Unscrew the nut at the bottom of the MixRite pump. Cut the chemical tubing to any convenient length that will allow the tube to extend from the bottom of the chemical container to the MixRite pump inlet barb. Insert the tubing through the bottom end (non-threaded end) of the nut. Insert the tubing onto the barb on the MixRite pump. With the tubing attached to the MixRite pump, screw the nut back onto the MixRite pump until tightened. Place the other end of the tubing with the marble weight into the chemical container.

For the MixRite wall mount unit only, the chemical container should be placed in a convenient location not more than 6 ft. below the wall mount unit.

WARNING: Pumping chlorinated alkaline cleaners or acids with a non-bypass pump will void the warranty. Use only bypass pumps with any aggressive acid or alkaline chemicals.

7. FOAM GENERATOR AIR SUPPLY FOR MODELS 573[]AFR & 578[]BAF:

Air inlet is 1/4" NPT. **CAUTION: When tightening air supply fittings into the ball valve, be sure to secure the ball valve with a wrench or other similar tool. Avoid rotating ball valve when tightening air supply fittings.**

8. OPERATION, CHEMICAL ADJUSTMENT, & TROUBLESHOOTING OF PUMP:

See installation Instruction Sheet I-814.

570 SERIES MODELS INSTALLATION INSTRUCTIONS DEMA MIXRITE WALL MOUNT & CART MOUNT UNITS

9. OPERATION OF THE FOAMER:

The texture of the foam can be made either “wet” or “dry” by controlling the amount of air injected into it. The operator can adjust the air pressure by pulling the Pressure Regulator knob straight out and turning it as described below:

- Clockwise increases the pressure (150psi max.) and makes a dry foam.
- Counterclockwise decreases the pressure (40psi min.) and makes a wetter foam.

After the desired foam consistency is achieved push the Pressure Regulator knob straight in to lock it back in place.

10. MAINTENANCE:

Remove and clean the filter on the Inline Strainer (P/N 57-101-1) every 2 to 4 weeks as needed.

11. INSTALLING REPLACEMENT PARTS:

For parts with pipe threads, apply pipe dope, hand tighten, and then turn 1-1/2 times with a wrench. **DO NOT OVERTIGHTEN.** Overtightening will lead to threads stripping and breaking, especially on plastic parts.

WARNING: Do not use Teflon® tape to seal internal plastic threads as the extra thickness of the tape may cause the plastic to crack. Use a non-welding liquid sealant instead.

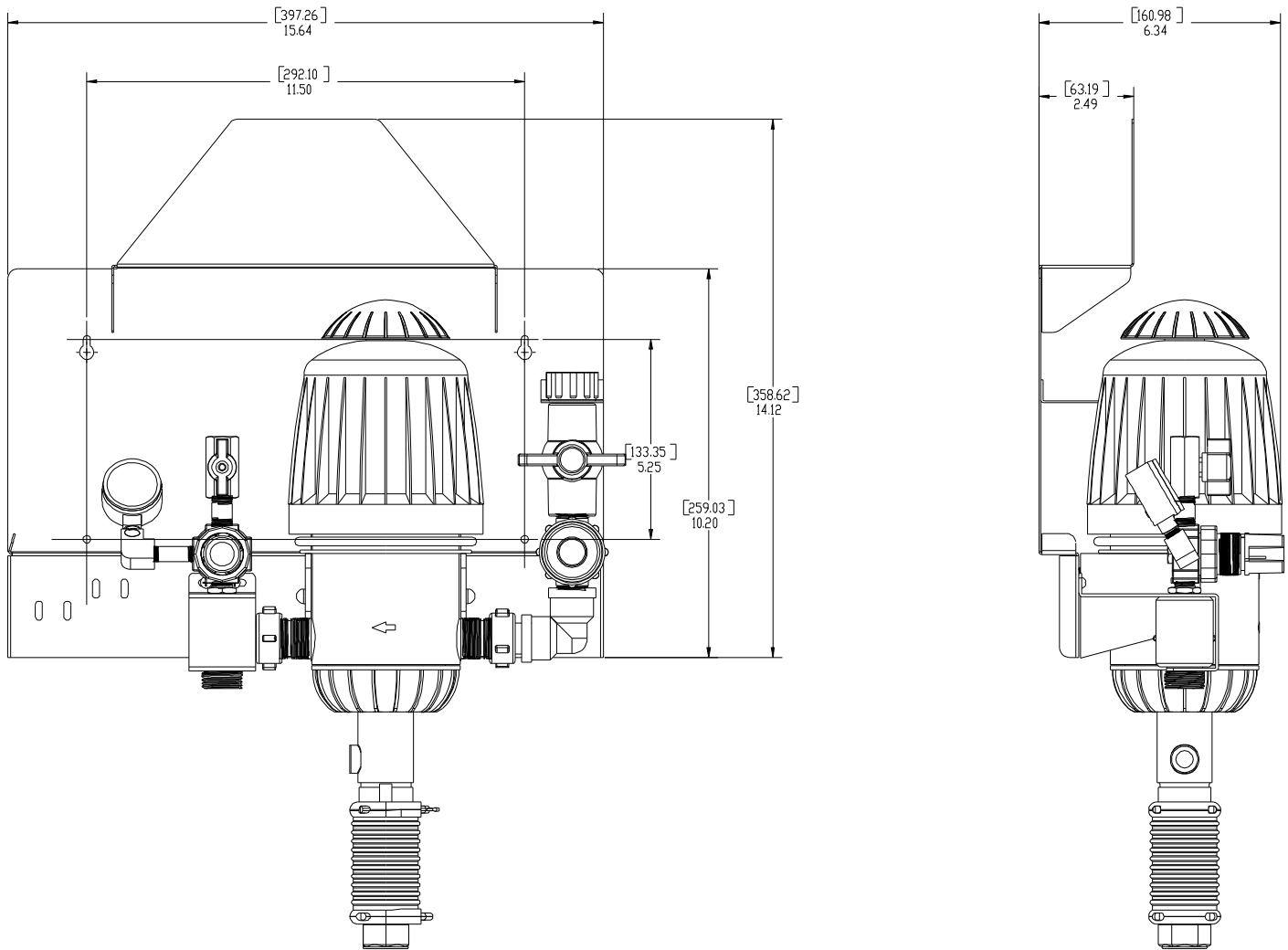
570 SERIES MODELS INSTALLATION INSTRUCTIONS

DEMA MIXRITE WALL MOUNT & CART MOUNT UNITS

RETURNS: NO MERCHANDISE MAY BE RETURNED FOR CREDIT WITHOUT DEMA'S WRITTEN PERMISSION. RETURN MERCHANDISE AUTHORIZATION NUMBER REQUIRED IN ADVANCE OF RETURN.

Defective units or parts should be returned to the factory with transportation prepaid. If inspection shows them to be defective, they will be repaired or replaced without charge, F.O.B. factory. DEMA assumes no liability for damages. Return merchandise authorization number, to return units for repair or replacement, must be granted in advance of return.

WARRANTY: DEMA products are warranted against defective material and workmanship under normal use and service for one year from the date of manufacture. This limited warranty does not apply to any products which have a normal life shorter than one year or failure and damage caused by chemicals, corrosion, improper voltage supply, physical abuse, or misapplication. Rubber and synthetic rubber parts such as "o"-rings, diaphragms, squeeze tubing and gaskets are considered expendable and are not covered under warranty. This warranty is extended only to the original buyer of DEMA products. If products are altered or repaired without prior approval of DEMA, this warranty will be void.



570 SERIES MODELS INSTALLATION INSTRUCTIONS DEMA MIXRITE WALL MOUNT & CART MOUNT UNITS

MOUNTING HOLES & BOX DIMENSIONS.

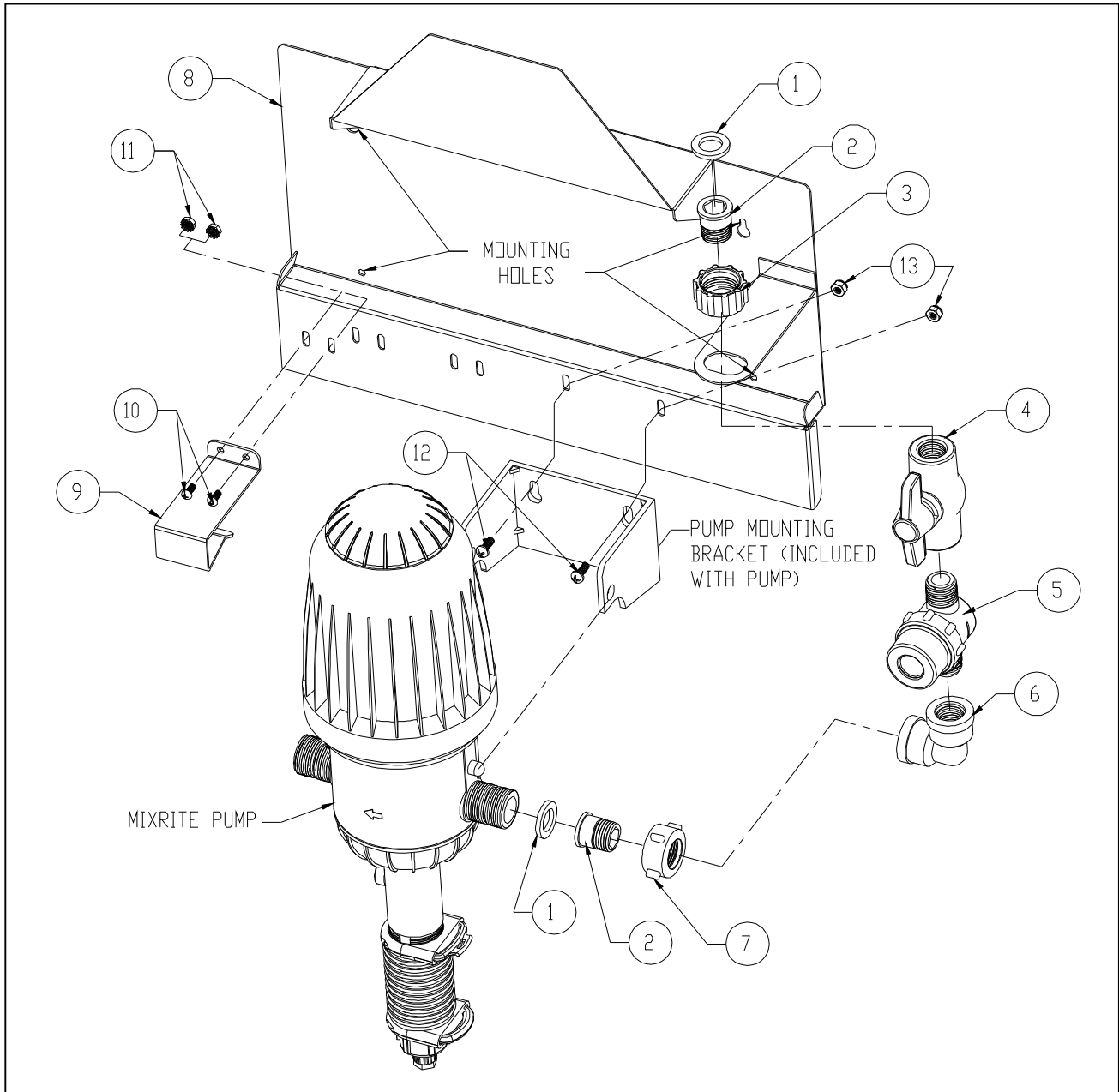
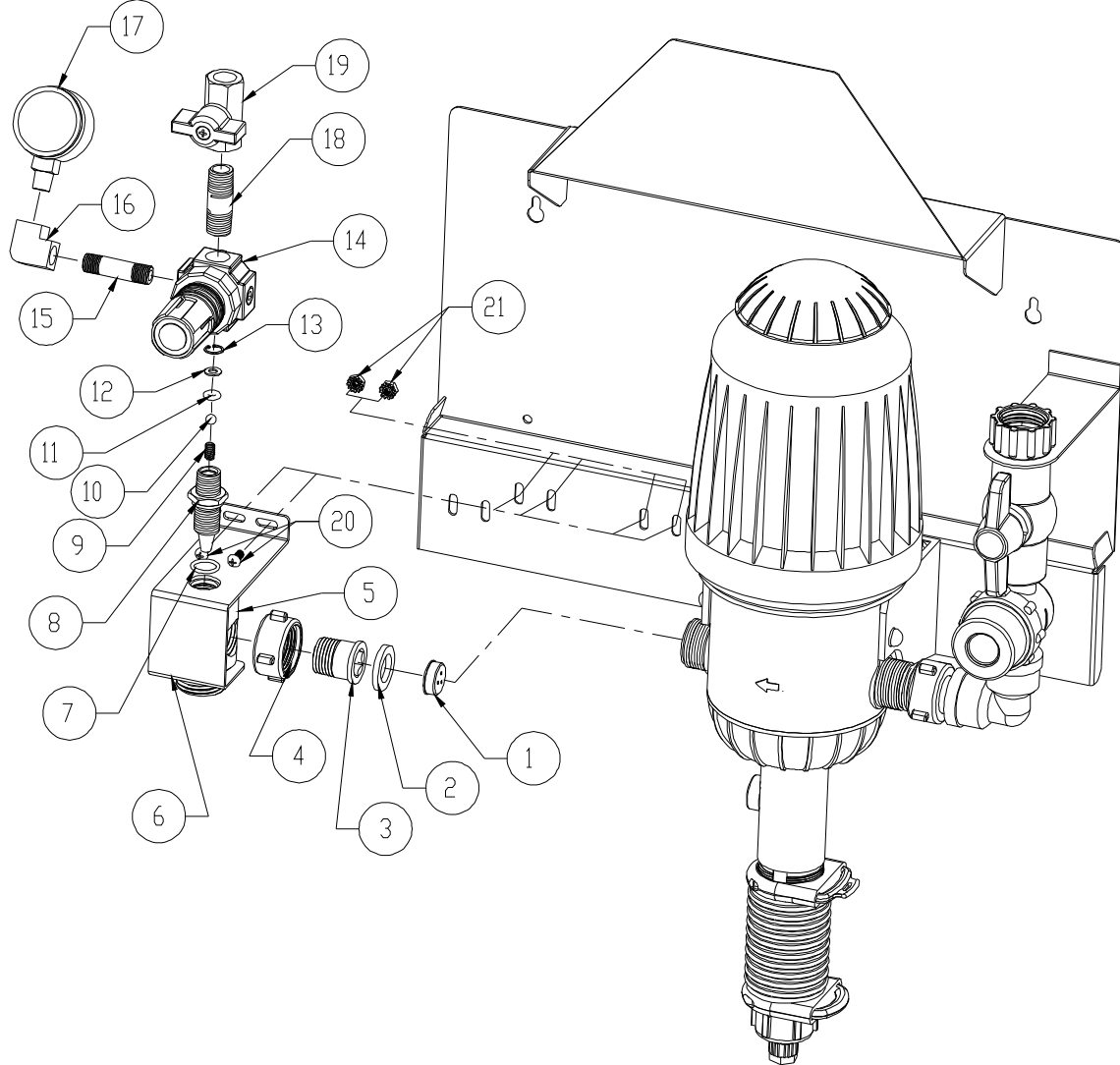


FIGURE 1

NO.	PART NO.	DESCRIPTION	NO.	PART NO.	DESCRIPTION
1	150-6	Rubber Washer – E.P.	8	57-100-1	Mounting Plate
2	93-183-1	Hose Stem Adapter	9	57-104-1	Outlet Hose Bracket
3	93-182-1	Hose Swivel Nut	10	41-63-2	#8-32 X 3/8" Long Screw
4	93-180-1	½" NPT Plastic Ball Valve	11	36-32-1	#8-32 Nut W/Lock Washer
5	57-101-1	Inline Strainer	12	57-105-2	#10-24 X ½" Long Screw
6	57-102-1	½" NPT Plastic Elbow	13	57-106-1	#10-24 Locking Nut
7	57-110-1	BSPT Hose Swivel Nut			

**570 SERIES MODELS INSTALLATION INSTRUCTIONS
DEMA MIXRITE WALL MOUNT & CART MOUNT UNITS**



**FIGURE 2
FOAM GENERATOR PARTS BREAKDOWN**

NO.	PART NO.	DESCRIPTION	NO.	PART NO.	DESCRIPTION
1	57-109-1	Flow Disk **	12	29-17-5	Washer – Stainless Steel
2	150-6	Rubber Washer – E.P.	13	29-18-3	Internal Snap Ring
3	93-183-1	Hose Stem Adapter	14	93-1	Pressure Regulator
4	57-110-1	BSPT Hose Swivel Nut	15	93-103-1	1/8” NPT Pipe Nipple
5	93-260-1	Foam Generator Body	16	93-102-1	1/8” NPT Pipe Elbow
6	93-262-1	Foam Generator Bracket	17	93-15-1	Pressure Gauge
7	30-5V-14	#14 O-Ring – Viton	18	25-137-12	1/4” NPT Pipe Nipple
8	93-261-1	Air Nozzle – Stainless Steel	19	16-11	1/4” NPT Ball Valve
9	93-185-1	Spring	20	41-63-2	#8-32 X 3/8” Long Screw
10	24-24P-7	Teflon Ball	21	36-32-1	#8-32 Nut W/ Lock Washer
11	23-106V	#106 O-Ring – Viton	22	93-26-2	Foam Generator w/Bracket

**** For 578WBAF & 578CBAF only.**

570 SERIES MODELS INSTALLATION INSTRUCTIONS DEMA MIXRITE WALL MOUNT & CART MOUNT UNITS

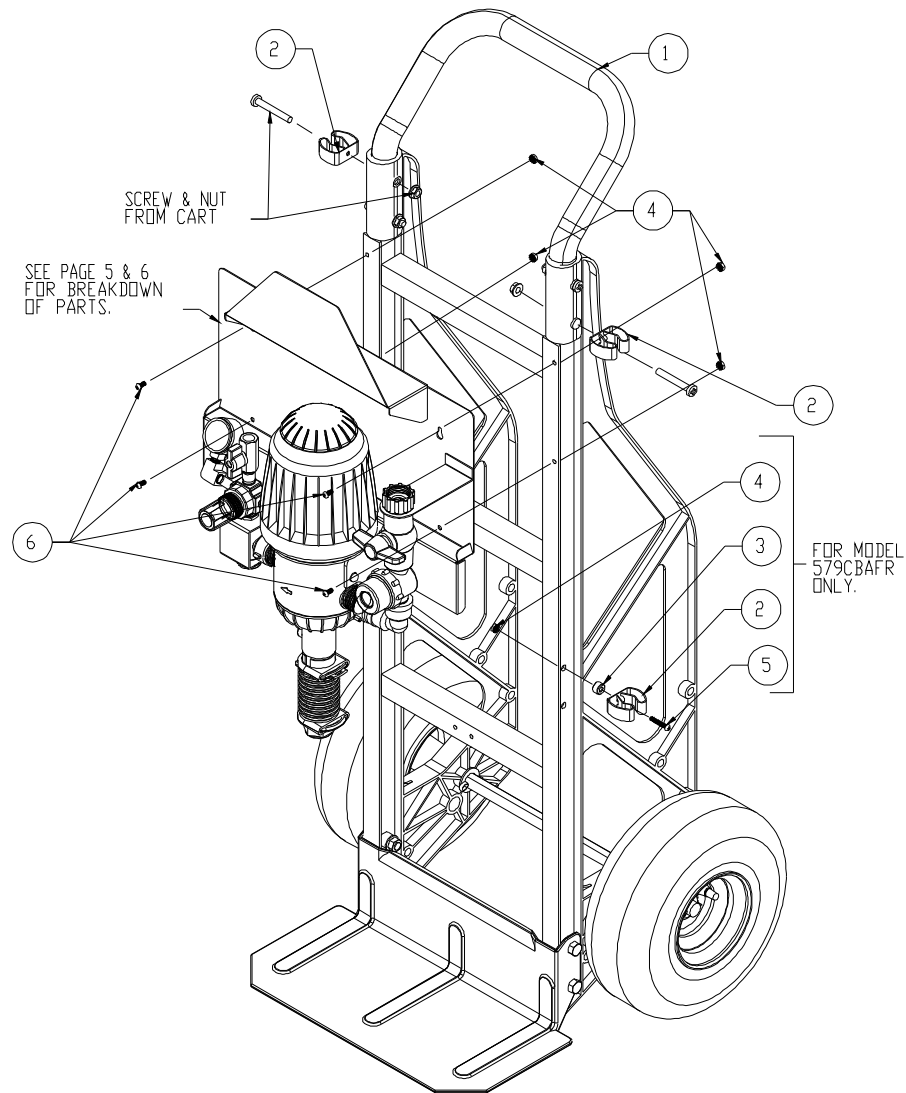
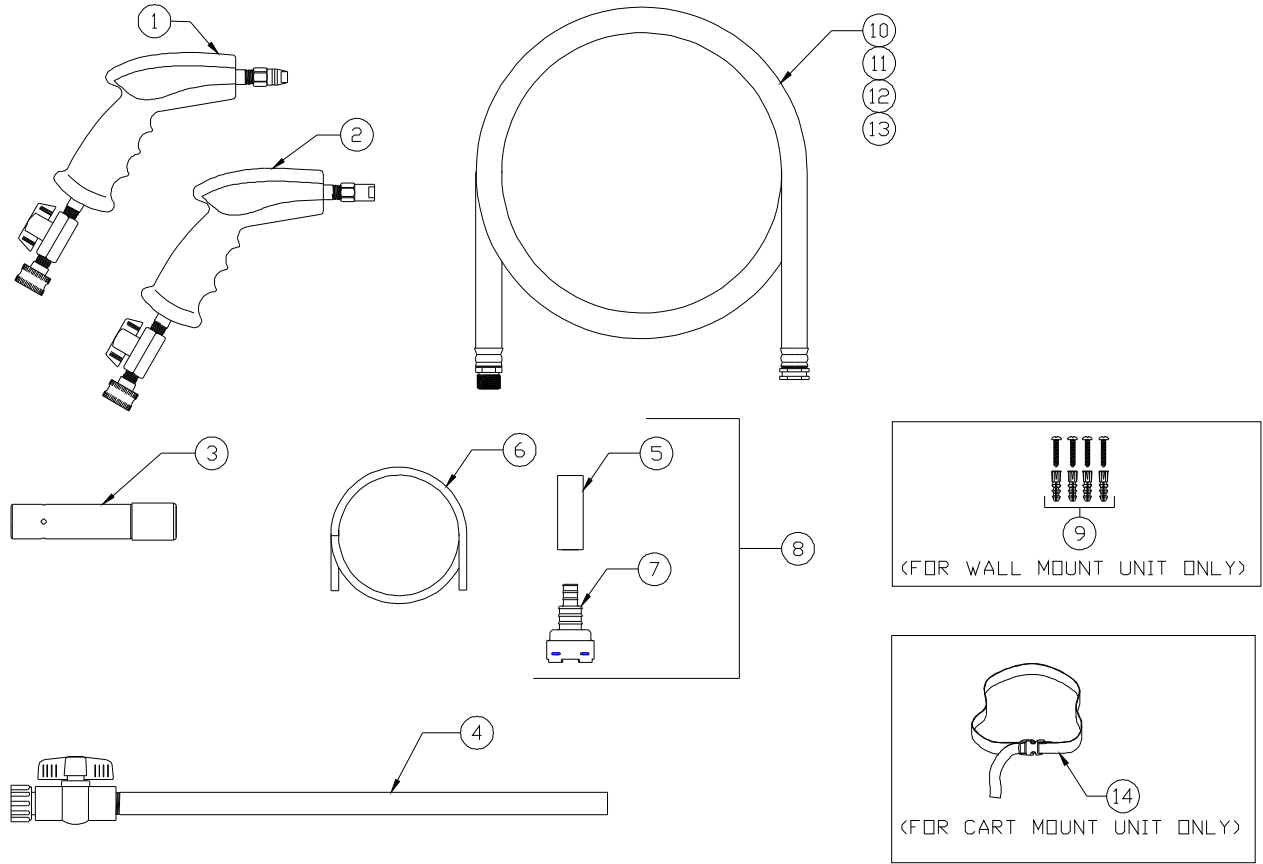


FIGURE 3
MIXRITE CART MOUNT BREAKDOWN

NO.	PART NO.	DESCRIPTION	NO.	PART NO.	DESCRIPTION
1	90-1-2	Cart	4	36-32-1	#8-32 Nut W/Lock Washer
2	90-9-1	Spring Clip	5	41-63-8	#8-32 X 1" Long Screw
3	901-3-1	Spacer	6	41-63-2	#8-32 X 3/8" Long Screw

570 SERIES MODELS INSTALLATION INSTRUCTIONS DEMA MIXRITE WALL MOUNT & CART MOUNT UNITS



**FIGURE 4
ACCESSORIES**

NO.	PART NO.	DESCRIPTION
1	40-14QD	SPRAY GUN-QUICK DISC.
2	40-14HD	SPRAY GUN - 6 GPM NOZZLE
3	292QD	FOAM WAND USED W/ 40-14QD
4	93-18-3	FOAM WAND
5	61-107	CERAMIC WEIGHT (1/2" I.D.)
6	100-16E-4	TUBING
7		FOOT VALVE (E.P.)
8		TUBING, CERAMIC WEIGHT & FOOT VALVE ASSY.
9	98-40-4	#10 SCREW & ANCHOR KIT
10	44-3N-6	½" ID X 6' LG. NYLON BRAIDED HOSE
11	44-3N-25	½" ID X 25' LG. NYLON BRAIDED HOSE
12	93-14	¾" ID X 25' LG. RUBBER HOSE
13	57-114-1	¾" ID X 25' LG. RUBBER HOSE W/ STRAINER WASHER
14	901-1-1	STRAP W/ SIDE RELEASE BUCKLE

MODEL NO.	ACCESSORIES REC'D W/ MODELS											
	ACCESSORY NO.											
	1	2	3	4	5	6	7*	8	9	10	11	12**
570[]S		X			X	X	X	X	X			X
571[]SR		X			X	X	X	X	X			X
572[]S		X			X	X	X	X	X			X
573[]SR		X			X	X	X	X	X			X
573[]SFR	X		X		X	X	X	X	X			X
573[]AFR		X			X	X	X	X		X		X
576[]BS		X			X	X	X	X	X			X
577[]BSR		X			X	X	X	X	X			X
578[]BS		X			X	X	X	X	X			X
579[]BSR		X			X	X	X	X	X			X
579[]BSFR	X		X		X	X	X	X	X			X
578[]BAF				X	X	X	X	X			X	X

* For wall mount units only.

** For cart mount units only.

570 SERIES MODELS INSTALLATION INSTRUCTIONS DEMA MIXRITE WALL MOUNT & CART MOUNT UNITS

Return Policy

No merchandise may be returned for credit without DEMA Engineering Company's written permission. Return Merchandise Authorization (RMA) number required in advance of return.

Warranty

DEMA products are warranted against defective material and workmanship under normal use and service for one year from the date of manufacture. This limited warranty does not apply to products that have a normal life shorter than one year or failure and damage caused by chemicals, corrosion, improper voltage supply, physical abuse or misapplication. Rubber and synthetic parts such as "O"-rings, diaphragms, squeeze tubing and gaskets are considered expendable and are not covered under warranty. This warranty is extended only to the original buyer of DEMA products. If products are altered or repaired without prior approval of DEMA, this warranty will be void.

Defective units or parts should be returned to the factory with transportation prepaid. If inspection shows them to be defective, they will be repaired or replaced without charge. F.O.B. factory DEMA assumes no liability for damages. Return merchandise authorization number to return units for repair or replacement must be granted in advance of return.