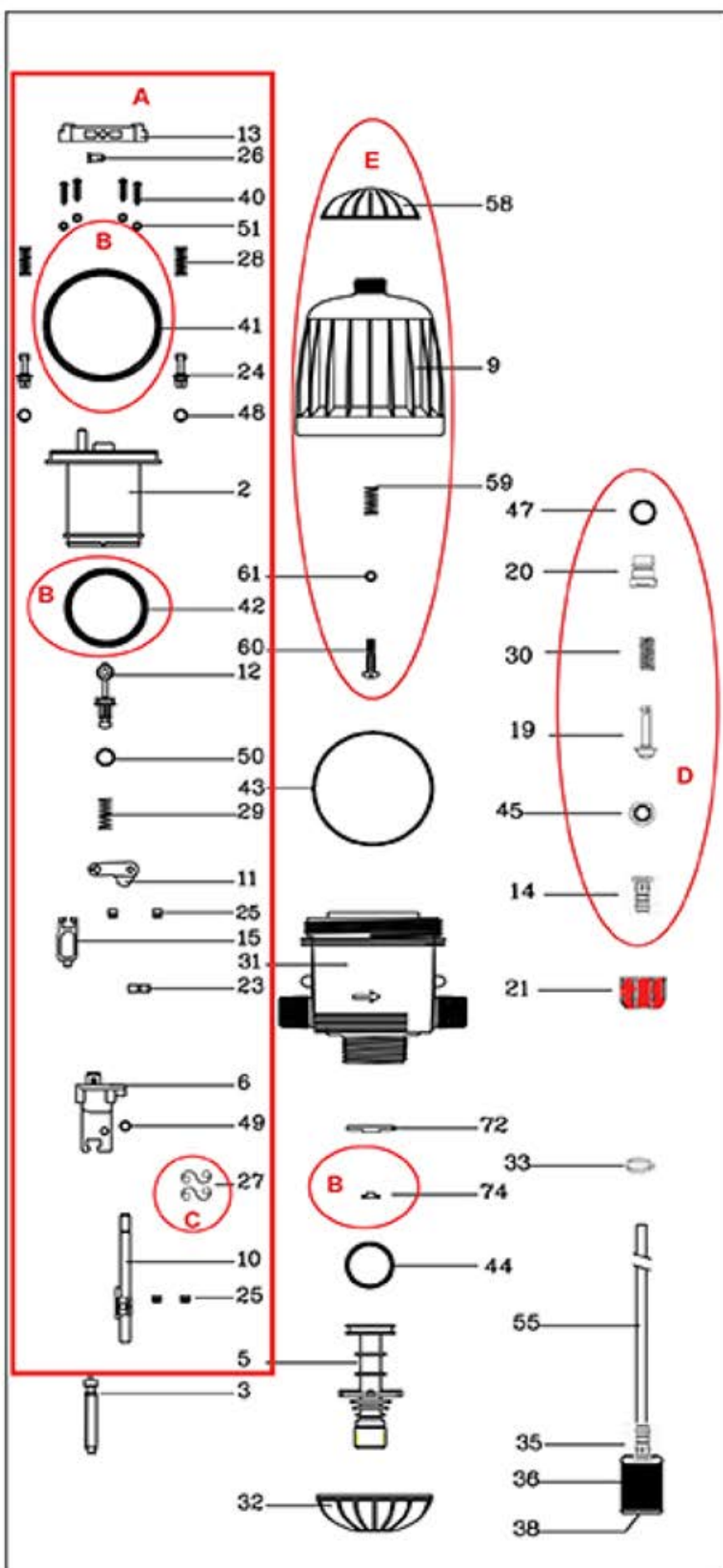
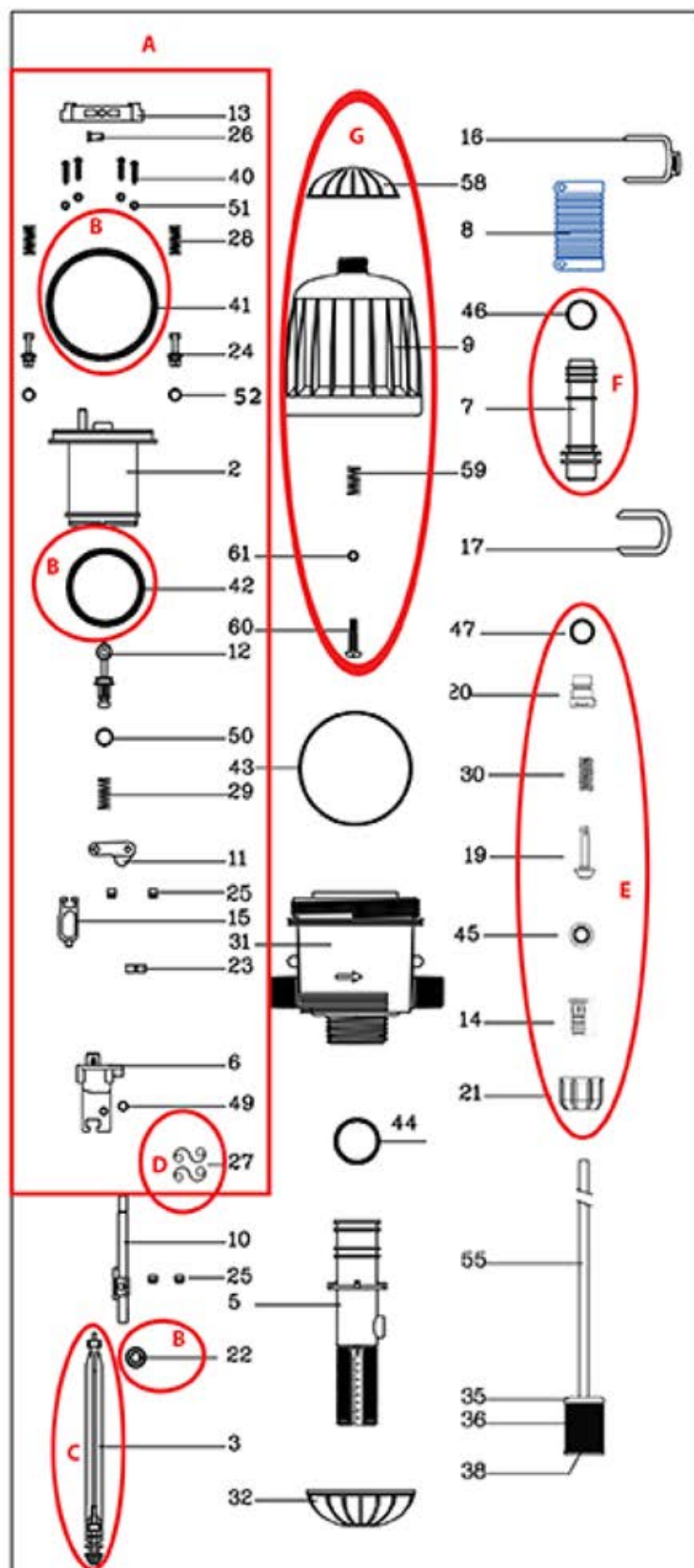


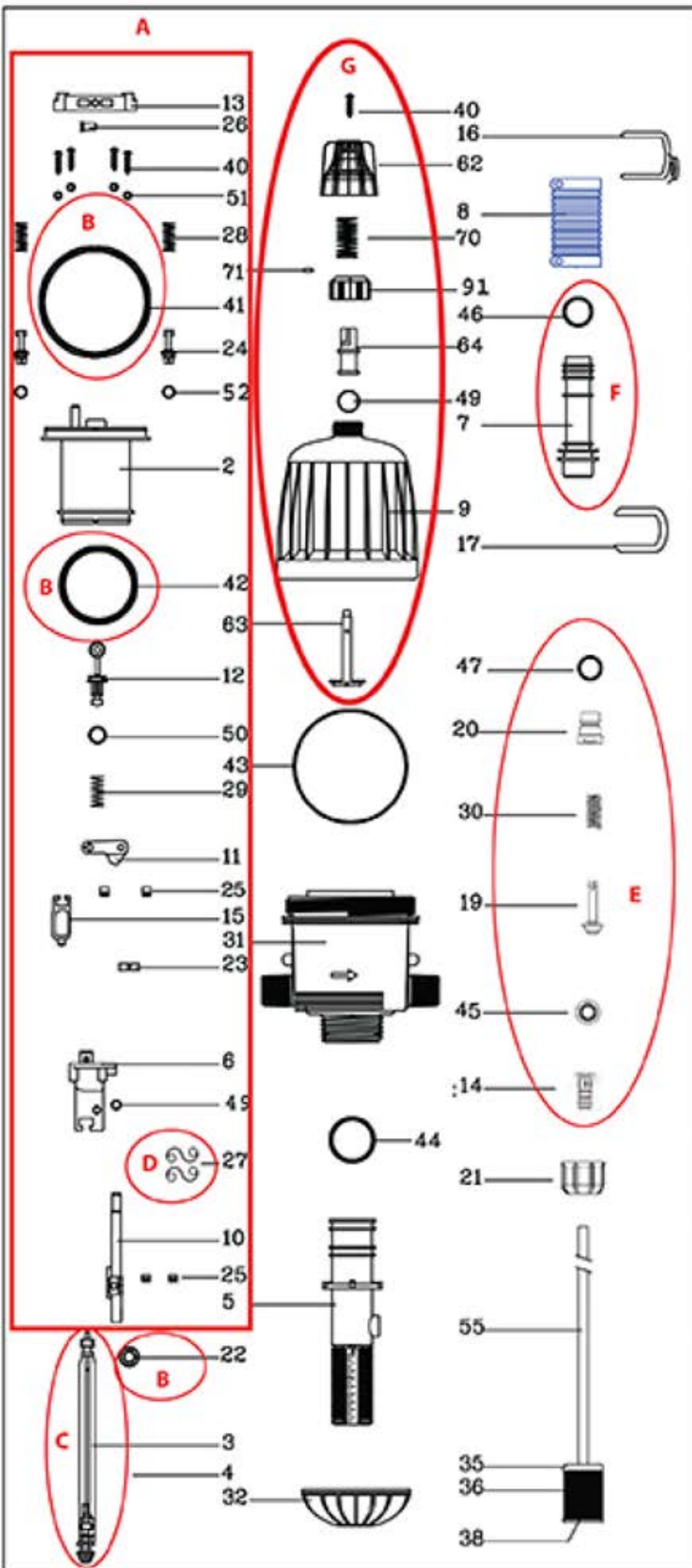
NO.	DESCRIPTION	KIT/PART NO.
A	500 Series LFR Yellow Engine Replacement	36000000221
B	566AG Lip Seal Kit, LFR Yellow Engine, with piston seal	36000000204
C	Plastic Engine Spring Kit (includes 2 springs)	36000000191
D	Check Valve Kit	36000000258
E	500 Series Cover w/ Air release	36000000058
3	566AG Connecting Bar and Piston (one piece; no seal)	360100001103
5	566AG 1% Chemical Support Cylinder (No O-ring)	360100011205
21	Check Valve Nut, black	36012013221
22	Chemical Piston Seal, Viton (Part of Lip Seal Kit)	38000032022
28	Hastelloy Upper Engine Spring (one each; send two per unit)	38060797528
31	MixRite Body, 500 Series Grey Body 3/4" NPT Threads	36030162231
32	566-575 Large Nut, Cylinder Support Nut	36030161532
38	Suction Filter, 10 MM Barb	360000000171
43	500 Series Dome/Cover O-ring	38022430243
44	Atlas O-ring #44; Cylinder Support O-ring (1 per unit)	38022205244
55	3/8" ID Vinyl (Chemical Tubing, fits 10MM barb)	100.12L
NOT SHOWN	Mounting Bracket, 500 Series	36030162765



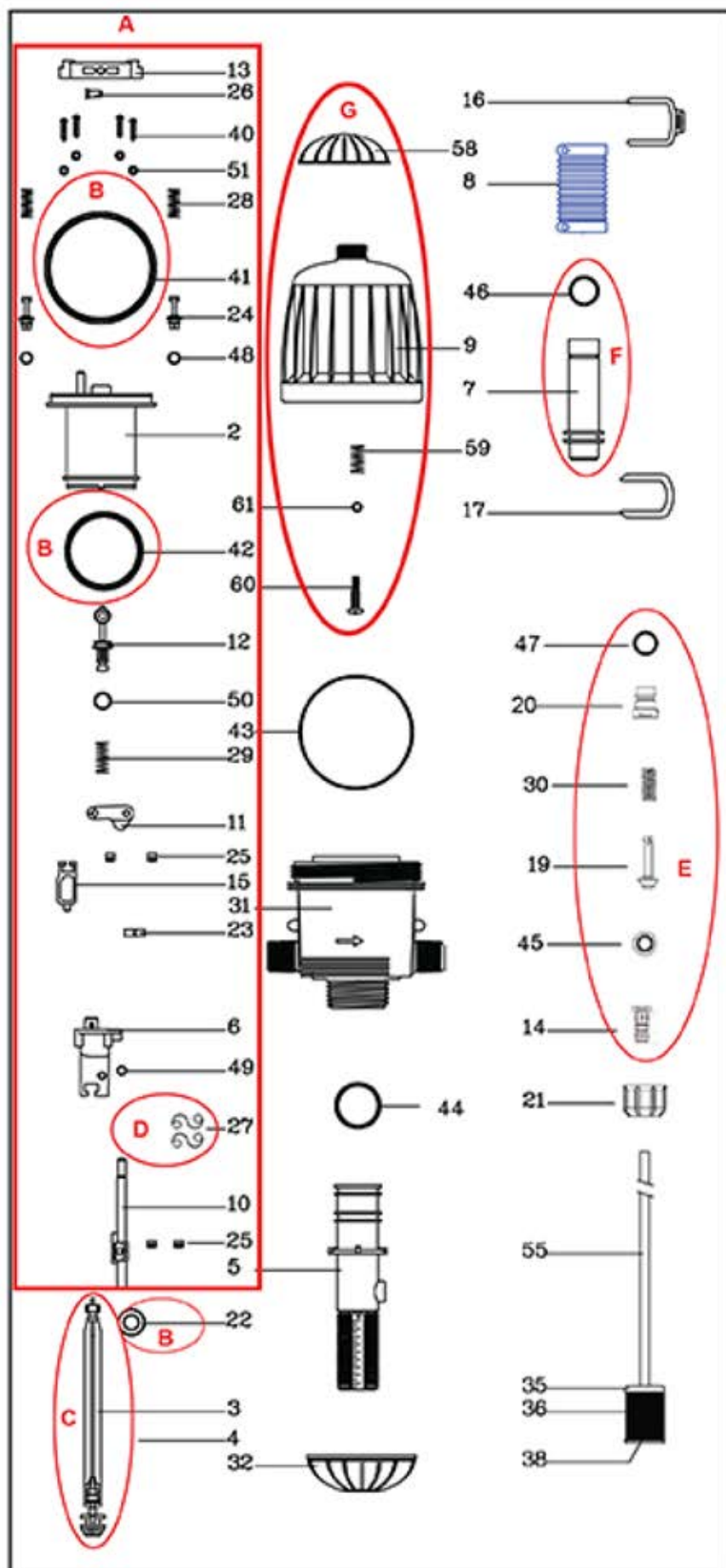
NO.	DESCRIPTION	KIT/PART NO.
A	500 Series LFR Yellow Engine Replacement	36000000221
B	568AG Lip Seal Kit, yellow LFR engine	36000000206
	568AG Lip Seal Kit (old engines)	36000000098
C	Plastic Engine Spring Kit (includes 2 springs)	36000000191
D	Check Valve Kit	36000000258
E	500 Series, 14 Series Cover w/ Air release	36000000058
3	568AG Chemical Piston Rod	36030214203
5	568AG Chemical Cylinder - .8% or 1 oz/gallon (no oring)	36030214405
21	Check Valve Nut, black	36012013221
28	Hastelloy Uper Engine Spring (one each; send two per unit)	38060797528
31	MixRite Body, 500 Series Grey Body 3/4" NPT Threads	36030162231
32	566-575 Large Nut, Cylinder Support Nut	36030161532
38	Suction Filter, 10 MM Barb	36000000171
43	500 Series Dome/Cover Oring	38022430243
55	3/8" ID Vinyl Chemical Tubing, fits 10MM barb	100.12L
72	568AG Seal Adapter	36030214472
74	568AG Conical Piston Seal, .8%, 1oz per gallon	36000024274
NOT SHOWN	Mounting Bracket, 500 Series	36030162765



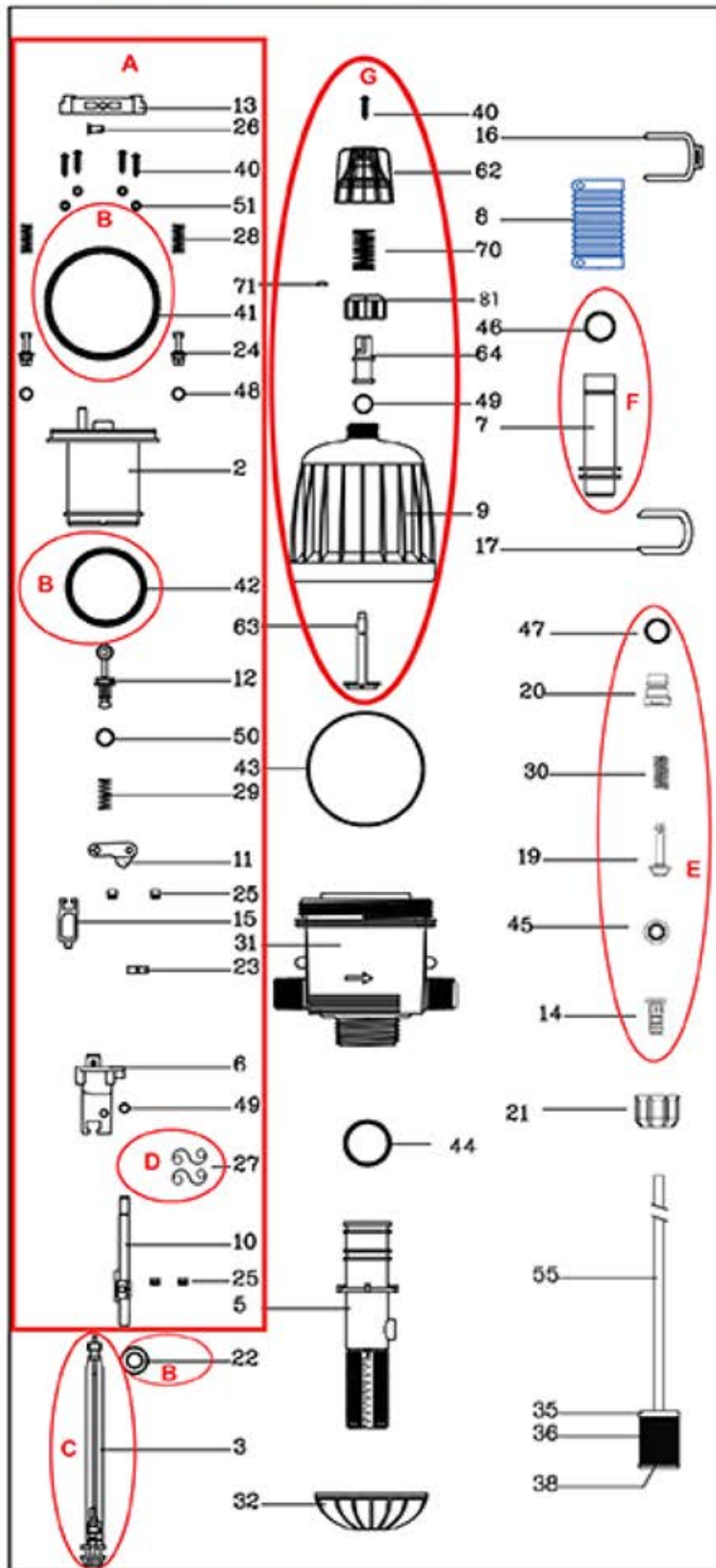
NO.	DESCRIPTION	KIT/PART NO.
A	500 Series LFR Yellow Engine Replacement	36000000221
B	570 Lip Seal Kit, Old Unit	36000000032
	570 Lip Seal Kit, LFR, Yellow Engine	36000000204
C	570/ Connecting Bar and Piston, no o-ring	36008021103
D	Plastic Engine Spring Kit (includes 2 springs)	36000000191
E	Check Valve Kit	36000000258
F	MixRite 570 Chemical Cylinder Kit w/ O-ring	36000000172
G	500 Series Cover w/ Air release	36000000058
49, 52 (2), 47, 46, 8	Aflas Oring Kit, with Blue Sleeve	57.K02.005CW
21	Check Vale Nut, black	36012013221
46	Aflas Oring #46, Chemical Cylinder 2% models	38022110246
5	Cylinder Support 2%, Laser Engraved, No Orings	36013022205
44	Aflas Oring #44, Cylinder Support O-ring (2 per unit)	38022205244
32	566-575 Large Nut, Cylinder Support Nut	36030161532
22	Chemical Piston Seal, Viton (Part of Lip Seal Kit)	38000032022
31	MixRite Body, 500 Series Grey Body 3/4" NPT Threads	36030162231
43	500 Series Dome/Cover Oring	38022430243
16	500 Series upper U-latch, Chemical sleeve	36030167916
17	500 Series lower U-latch, chemical sleeve	36030168017
8	Blue Adjustment Sleeve	36007018508
28	Hastelloy Uper Engine Spring (one each; send two per unit)	38060797528
38	Suction Filter, 20 MM Barb	36000000171
55	3/8" ID Vinyl Chemical Tubing, fits 10MM barb	100.12L
NOT SHOWN	Mounting Bracket, 500 Series	36030162765



NO.	DESCRIPTION	KIT/PART NO.
A	500 Series LFR Yellow Engine Replacement	36000000221
B	571 Lip Seal Kit, Old Unit	36000000032
	571 Lip Seal Kit, LFR, Yellow Engine	36000000204
C	571 Connecting Bar and Piston, no o-ring	36008021103
D	Plastic Engine Spring Kit (includes 2 springs)	36000000191
E	Check Valve Kit	36000000258
F	MixRite 571 Chemical Cylinder Kit w/ O-ring	36000000172
G	500 Series Cover w/ ON/OFF	36300000044
49, 52 (2), 47, 46, 8	Aflas Oring Kit, with Blue Sleeve	57.K02.005CW
21	Check Valve Nut, black	36012013221
46	Aflas Oring #46, Chemical Cylinder 2% models	38022110245
5	Cylinder Support 2%, Laser Engraved, No Orings	36013022205
44	Aflas Oring #44; Cylinder Support O-ring (2 per unit)	38022205244
32	566-575 Large Nut, Cylinder Support Nut	36030161532
22	Chemical Piston Seal, Viton (Part of Lip Seal Kit)	38000032022
31	MixRite Body, 500 Series Grey Body 3/4" NPT Threads	36030162231
43	500 Series Dome/Cover Oring	38022430243
16	500 Series upper U-latch, Chemical sleeve	36030167916
17	500 Series lower U-latch, chemical sleeve	36030168017
8	Blue Adjustment Sleeve	36007018508
28	Hastelloy Uper Engine Spring (one each; send two per unit)	38060797528
38	Suction Filter, 10 MM Barb	36000000171
55	3/8" ID Vinyl Chemical Tubing, fits 10MM barb	100.12L
NOT SHOWN	Mounting Bracket, 500 Series	36030162765



NO.	DESCRIPTION	KIT/PART NO.
A	500 Series LFR Yellow Engine Replacement	3600000221
B	572 Lip Seal Kit, Old Unit	3600000031
	572 Lip Seal Kit, LFR, Yellow Engine	3600000205
C	572 Connecting Bar and Piston, no-o-ring	36008041103
D	Plastic Engine Spring Kit (includes 2 springs)	36000000191
E	Check Valve Kit	36000000258
F	MixRite 572 Chemical Cylinder Kit w/ O-ring	36000000173
G	500 Series Cover w/ Air Release	3600000058
49, 52 (2), 47, 46, 8	Atlas O-ring Kit, with Blue Sleeve	57.KC4.0123CW
21	Check Valve Nut, black	36012013221
46	Atlas O-ring #46, Chemical Cylinder 4% models	38022115146
5	Cylinder Support 4%, Laser Engraved, No Orings	36013042205
44	Atlas O-ring #44; Cylinder Support O-ring (2 per unit)	38022205244
32	566-575 Large Nut, Cylinder Support Nut	36030161532
22	Chemical Piston Seal, Viton (Part of Lip Seal Kit)	36000034022
31	MixRite Body, 500 Series Grey Body 3/4" NPT Threads	36030162231
43	500 Series Dome/Cover O-ring	38022430243
16	500 Series upper U-latch, Chemical sleeve	36030167916
17	500 Series lower U-latch, chemical sleeve	36030168017
8	Blue Adjustment Sleeve	36007018508
28	Hastelloy Upper Engine Spring (one each; send two per unit)	38060797528
38	Suction Filter, 10 MM Barb	36000000171
55	3/8" ID Vinyl Chemical Tubing, fits 10MM barb	100.12L
NOT SHOWN	Mounting Bracket, 500 Series	36030162765



NO.	DESCRIPTION	KIT/PART NO.
A	500 Series LFR Yellow Engine Replacement	3600000221
B	573 Lip Seal Kit, Old Unit	3600000031
	573 Lip Seal Kit, LFR, Yellow Engine	36000000205
C	573 Connecting Bar and Piston, no-o-ring	36008041103
D	Plastic Engine Spring Kit (includes 2 springs)	36000000191
E	Check Valve Kit	36000000258
F	Mixrite 573 Chemical Cylinder Kit w/ O-ring	36000000173
G	500 Series Cover w/ ON/OFF	36300000044
49, 52 (2), 47, 46, 8	Atlas O-ring Kit, with Blue Sleeve	57.K04.0123CW
21	Check Valve Nut, black	36012013221
46	Atlas O-ring #48, Chemical Cylinder 4K models	38022115146
5	Cylinder Support 4K, Laser Engraved, No O-rings	36013042205
44	Atlas O-ring #44; Cylinder Support O-ring (2 per unit)	38022205244
32	566-575 Large Nut, Cylinder Support Nut	36030161532
22	Chemical Piston Seal, Viton (Part of Lip Seal Kit)	36000034022
31	Mixrite Body, 500 Series Grey Body 3/4" NPT Threads	36030162231
43	500 Series Dome/Cover O-ring	38022430243
16	500 Series upper U-latch, Chemical sleeve	36030167916
17	500 Series lower U-latch, chemical sleeve	36030163017
8	Blue Adjustment Sleeve	36007018508
28	Hastelloy Upper Engine Spring (one each; send two per unit)	38060797528
38	Suction Filter, 20MM Barb	36000000171
55	3/8" ID Vinyl Chemical Tubing, fits 20MM barb	100.12L
NOT SHOWN	Mounting Bracket, 500 Series	36030162765